


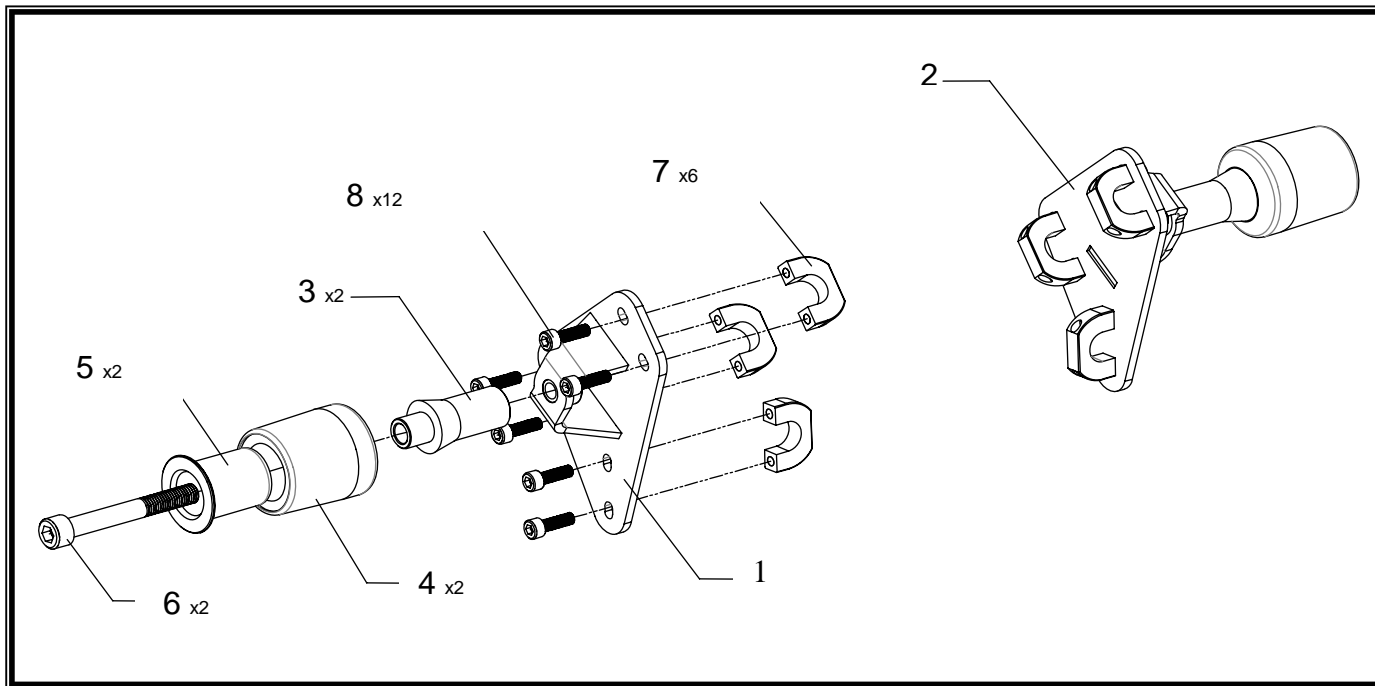


CHASSIS PROTECTOR KIT

APPLICATION

YEAR	MODEL
2011	Honda CBR250R
PRODUCT	
040BG122500	'11 CBR250R Chassis Protector Kit

 Read through all instructions before beginning installation. Motorcycle can be extremely hot. Let motorcycle cool down before beginning installation. Always wear hand and eye protection and take precautionary measures to avoid injury.



No.	Part #	Description	Qty
1	040BG122500L	Left Chassis Protector Bracket	1
2	040BG122500R	Right Chassis Protector Bracket	1
3	1312-A02-01	Aluminum Spacer	2
4	1115-A03-01	Chassis Protector	2
5	1115-A03-01-IK	Aluminum Insert	2
6	M10X75	10mm x 75mm Socket Head Cap Screw	2
7	CLMP-014	U Joint Frame Clamp	6
8	M6X20	6mm x 20mm Socket Head Cap Screw	12
**	17020C	Sticker Sheet	2

-TOOLS REQUIRED-

Metric Socket Set

Combination Wrench Set

Torque Wrench

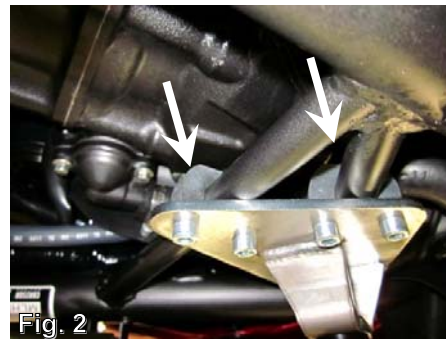
Metric Allen Wrench Set

-REMOVAL-

1. **Remove the left and right fairing as per Factory Service Manual.**

-INSTALLATION-

1. **Assemble Left and Right Chassis protector. See parts diagram for orientation.**
2. **Place assembled left chassis protector bracket onto frame and install the (3) U Joint Frame Clamps onto frame using supplied hardware. See Fig. 1 and 2 for reference on mounting the bracket onto the frame.**



3. **Place assembled right chassis protector bracket onto frame and install the (3) U Joint Frame Clamps onto frame using supplied hardware. See Fig. 3 and 4 for reference on mounting the bracket onto the frame.**



4. **Torque the 6mm x 20mm socket head cap screws securing the chassis protector bracket onto frame to 16 Nm (1.6 kg-m, 12 lb-ft).**
5. **Torque chassis protector bolt to 50 Nm (5.0 kg-m, 36 lb-ft).**
6. **Re-install left and right fairings using the reverse steps of removal.**